



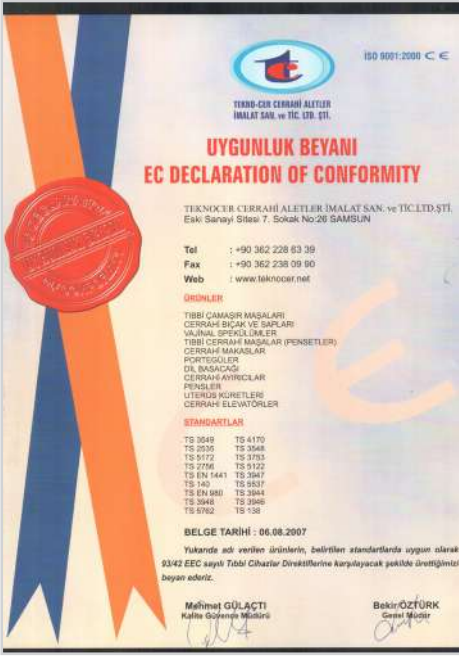
*“Yaşam Kalitesi İçin Üretir”*

**LAPAROSCOPIC LIVER RETRACTORS**  
LAPAROSKOPIK KARACİĞER EKARTÖRÜ

**TEKNO-CER**  
SURGICAL INSTRUMENTS MANUFACTURING INDUSTRY & T.C.L.

*“Yaşam Kalitesi İçin Üretir”*

*All rights reserved.  
No part of this catalog may be reproduced in any form  
without the written permission from TEKNO-CER*



# PRODUCTS CATALOG 2023



## GENEL ÜRETİM PROGRAMIMIZ

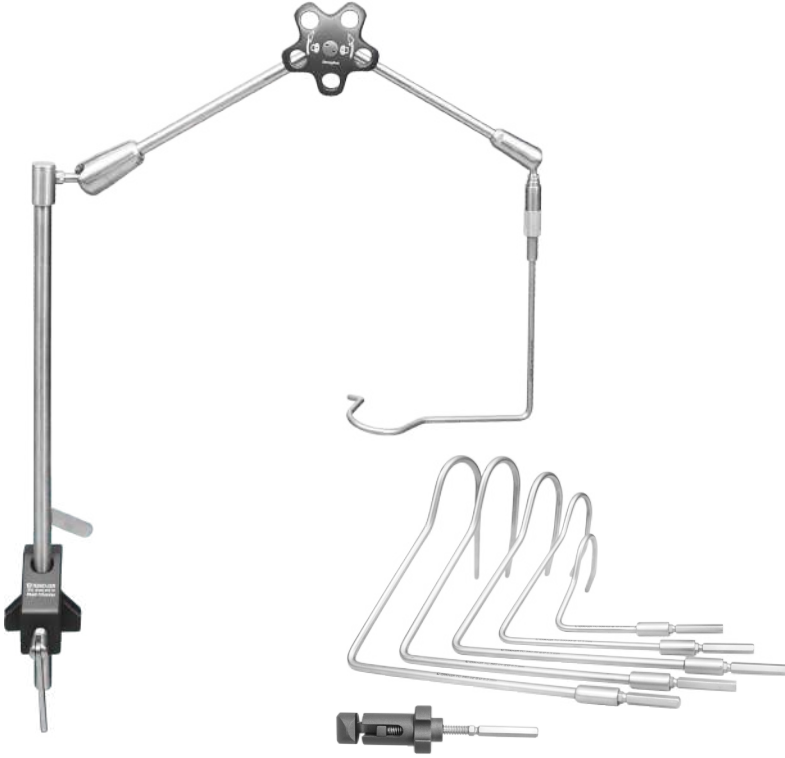
## OUR GENERAL PRODUCTION PROGRAM

- GENEL CERRAHİ
- BEYİN CERRAHİ
- JİNEKOLOJİ
- ÜROLOJİ
- KALP DAMAR CERRAHİ
- KEMİK CERRAHİ
- KBB CERRAHİ
- PLASTİK CERRAHİ
- ÇEY CERRAHİ
- EL CERRAHİ
- MİKRO CERRAHİ
- GÖZ CERRAHİ
- STERİL KONTEYNER SİSTEMLERİ
- TİTANYUM ALETLER
- NAKİL EKARTÖRLERİ
- TEKNO-CER UNIVERSAL EKARTÖR
- LAPAROSKOPİK ALETLER
- GENERAL SURGERY
- NEUROSURGERY
- GYNECOLOGY
- UROLOGY
- CARDIO VASCULAR SURGERY
- BONE SURGERY
- ENT SURGERY
- PLASTIC SURGERY
- MAXILLO SURGERY
- HAND SURGERY
- MICRO SURGRY
- OPHTALMOLOGY
- STERILE CONTAINER SYSTEMS
- TITANIUM INSTRUMENTS
- TRANSPORT RETRACTORS
- TEKNO-CER UNIVERSAL RETRACTOR
- LAPAROSACOPIC INSTRUMENTS



**NATHANSON LIVER RETRACTORS AND SYSTEMS**

*Nathanson-StrongArm Systems all contain an Arm, 3 hooks and 2 scopel/instrument tips.*  
*Shown here is Ref. No. TC 550A*



● **NATHANSON STRONGARM™ SYSTEMS**

**SET NO: TC 550A / 5mm System contains**

AD.	KOD	AÇIKLAMA
1	TC 530.00	Single Arm StrongArm
1	TC 530.01	Heavy Duty Rail Clamp
1	TC 530.02	Small 5mm Hook
1	TC 530.03	Med. 5mm Hook
1	TC 530.04	Large 5mm Hook
1	TC 530.05	SS Instrument Holder
1	TC 530.06	Delrin Scope Holder

**SET NO: TC 550B / 6,5mm System contains**

AD.	KOD	AÇIKLAMA
1	TC 530.00	Single Arm StrongArm
1	TC 530.01	Heavy Duty Rail Clamp
1	TC 540.00	Small 6,5mm Hook
1	TC 540.01	Med. 6,5mm Hook
1	TC 540.02	Large 6,5mm Hook
1	TC 530.05	SS Instrument Holder
1	TC 530.06	Delrin Scope Holder

**SET NO: TC 550AB / 6,5mm XL System contains**

AD.	KOD	AÇIKLAMA
1	TC 530.00	Single Arm StrongArm
1	TC 530.01	Heavy Duty Rail Clamp
1	TC 540.00	Small 6,5mm Hook
1	TC 540.01XL	Med. 6,5mm Hook
1	TC 540.02XL	Large 6,5mm Hook
1	TC 530.05	SS Instrument Holder
1	TC 530.06	Delrin Scope Holder



FLEXARM™ SURGICAL HOLDERS AND POSITIONERS

UNIVERSAL SYSTEM COMPONENTS  
EXPAND – REPLACE – UPGRADE

• COMPANION ARMS FOR  
UNIVERSAL FLEXARM SYSTEMS



**REF. NO: TC 545.15**

Companion Flex Arm Holding and Positioning Device with Quick Disconnect Distal Tip. Fits 1/2" (1.25cm) to 5/8" (1.6cm) diameter round bars such as the lower arms on all Mediflex Universal Systems, StrongArm™ Holding and Positioning Devices and Lap Rack Posts.

• POSTS AND RAIL CLAMPS FOR  
UNIVERSAL FLEXARM SYSTEMS



**REF. NO: TC 546.04**

Teknocer Rail Clamp  
aluminium special production

• ARM AND TIP SYSTEMS

**REF. NO: TC 548.06**

Contains:

AD.	KOD	AÇIKLAMA
1	TC 548.00	Single Arm/Clamp
1	TC 548.06A	Stainless Steel Tip



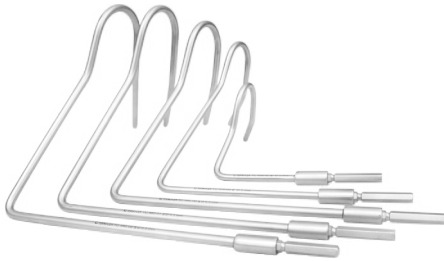
**REF. NO: TC 548.07**

Contains:

AD.	KOD	AÇIKLAMA
1	TC 548.00	Single Arm/Clamp
1	TC 548.07A	Delrin Tip



• SETS OF HOOKS



**SET NO: TC 530.00A**

5mm Hook Set Contains 1 each of:

KOD	AÇIKLAMA
TC 530.02	Small
TC 530.03	Medium
TC 530.04	Large

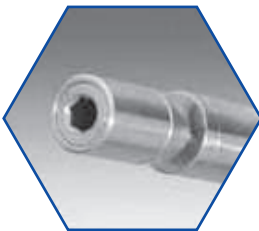
**STRONGARM™ SURGICAL HOLDERS AND POSITIONERS**

**THE ULTIMATE IN ADJUSTABLE RIGIDITY**

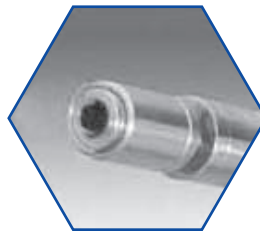


**SET NO: TC 548.00A**

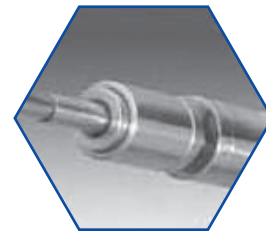
The Twin Arm StrongArm system illustrates the use of the Quick Disconnect System to hold both a laparoscope and a Nathanson Hook. Using a system like this often frees up a surgical tech and allows better utilization of human resources. See page 14 for twin arm systems.



**UNLOCKED**



**LOCKED**



**LOCKED WITH  
TIP INSERT**

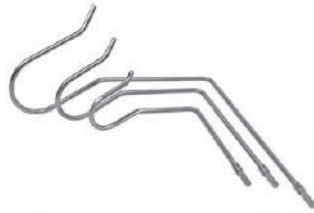
NATHANSON LIVER RETRACTORS AND SYSTEMS

**NATHANSON HOOKS**

THE FIRST LAPAROSCOPIC RETRACTOR THAT HOLDS THE ENTIRE LIVER

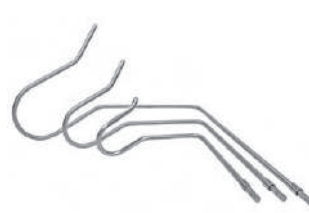
*Nathanson Hooks have proven to be ideal for Laparoscopic Liver Retraction. The 5mm Hooks are generally used in GERD Surgery while the 6.5mm Hooks are ideal for Bariatric Procedures. The Extra Long Tips available on the Medium and Large 6.5mm Hooks may facilitate entry in larger patients.*

● SETS OF HOOKS



**SET NO: TC 540.00A**  
5mm Hook Set Contains 1 each of:

KOD	AÇIKLAMA
TC 540.00	Small
TC 540.01	Medium
TC 540.02	Large



**SET NO: TC 550.00A**  
6.5mm Hook Set Contains 1 each of:

KOD	AÇIKLAMA
TC 550.00	Small
TC 550.01XL	Medium, X-Long
TC 550.04XL	Large, X-Long

● INDIVIDUAL HOOKS

STANDARD, 5mm DIAMETER

KOD	AÇIKLAMA
TC 540S	Extra Small
TC 530.02	Small
TC 530.03	Medium
TC 530.04	Large

HEAVY, 6.5mm DIAMETER

KOD	AÇIKLAMA
TC 540.00	Small
TC 530.01	Medium
TC 530.02	Large

HEAVY, 6.5mm DIAMETER  
WITH LONGER TIP

KOD	AÇIKLAMA
TC 540.XL	Medium
TC 541.XL	Large



Shown here is the small, 6.5mm Nathanson Hook

STERILE CONTAINER SYSTEM



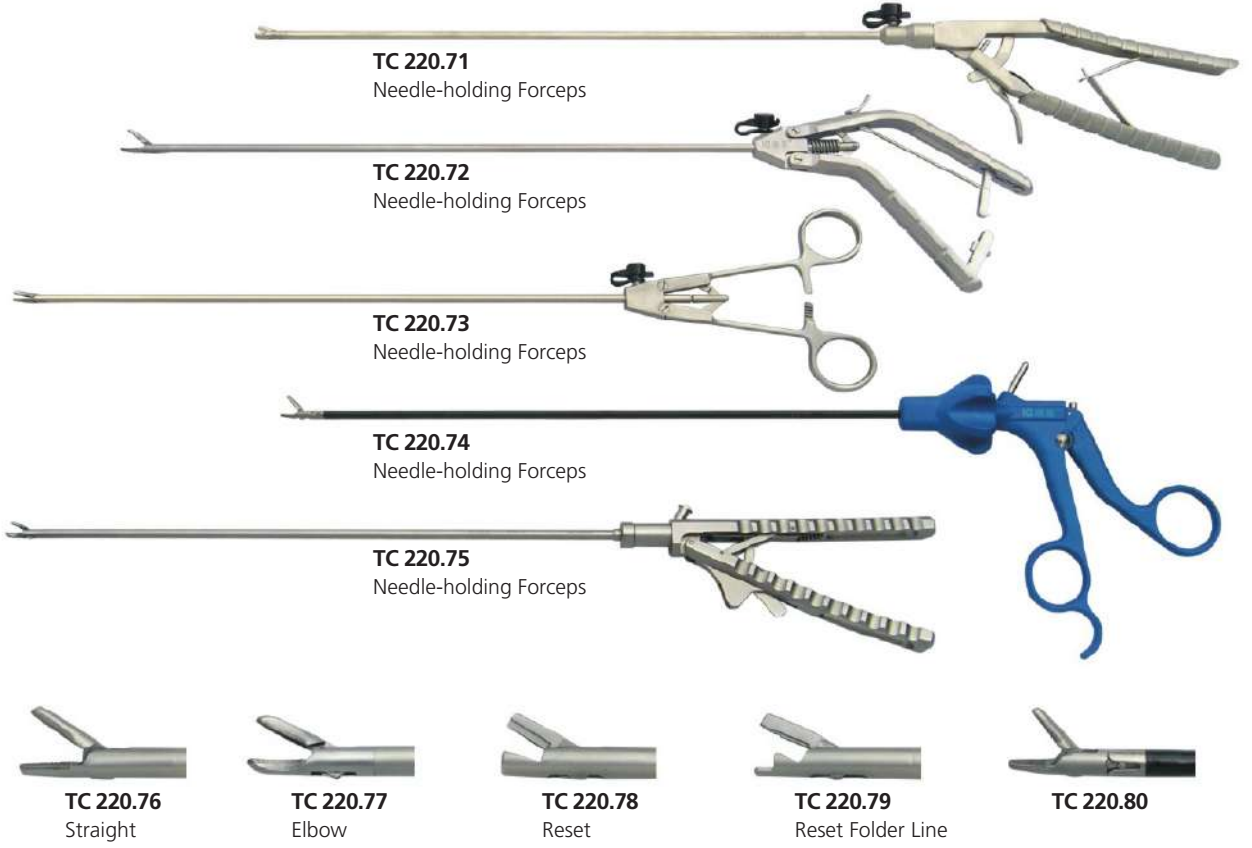




*“Yaşam Kalitesi İçin Üretir”*

**LAPAROSCOPIC INSTRUMENTS**  
LAPAROSKOPİK ALETLER

**NEEDLE-HOLDING FORCEPS**



**TC 220.71**  
Needle-holding Forceps

**TC 220.72**  
Needle-holding Forceps

**TC 220.73**  
Needle-holding Forceps

**TC 220.74**  
Needle-holding Forceps

**TC 220.75**  
Needle-holding Forceps

**TC 220.76**  
Straight

**TC 220.77**  
Elbow

**TC 220.78**  
Reset

**TC 220.79**  
Reset Folder Line

**TC 220.80**

**FAN-SHAPED FORCEPS**



**TC 220.81**  
Fan-shaped Forceps  $\varnothing$  5x350mm

**TC 220.82**  
Fan-shaped Forceps  $\varnothing$  5x350mm

**TC 220.83**  
Fan-shaped Forceps  $\varnothing$  5x350mm

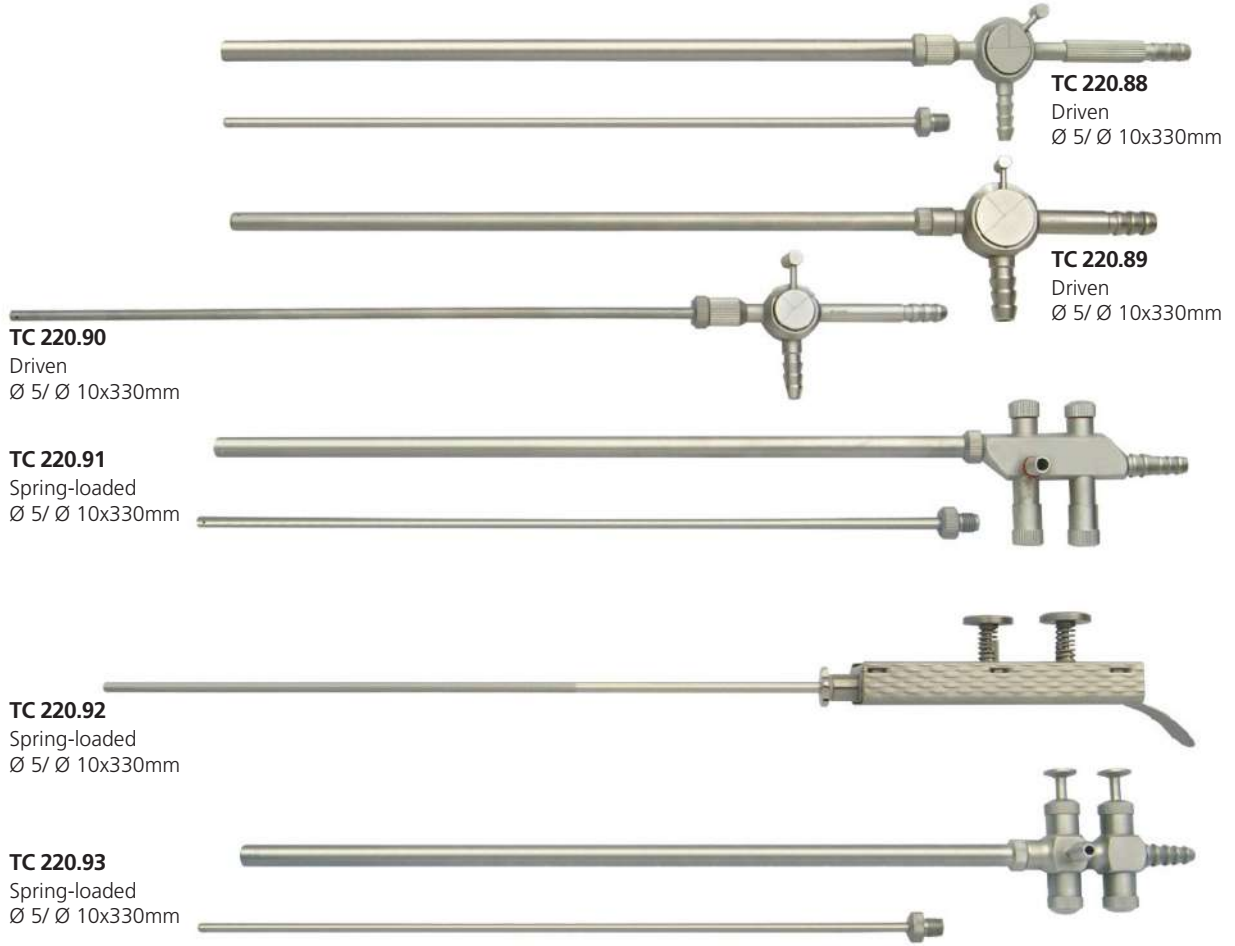
**TC 220.84**  
Fan-shaped Forceps  $\varnothing$  5x350mm

**TC 220.85**  
Fan-shaped Forceps  $\varnothing$  5x350mm

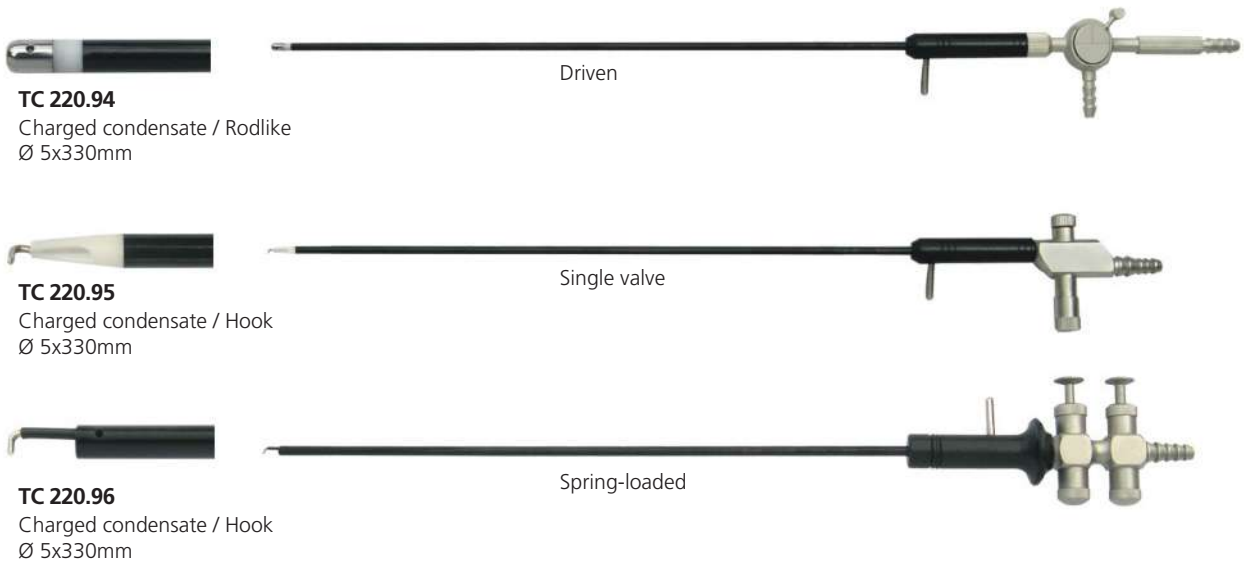
**TC 220.86**  
Fan-shaped Forceps  $\varnothing$  10x350mm

**TC 220.87**  
Fan-shaped Forceps  $\varnothing$  10x350mm

SUCTION & IRRIGATION TOBE



BALLPOINT-ELECTRODE WITH SUCTION



**BALLPOINT-ELECTRODE INSTRUMENTS**



**KNOT FORCEPS**



**BILE DUCT KNIFE**



**VERESS NEEDLE**

- TC 221.23** Ø 2,2x110mm  
**TC 221.24** Ø 2,2x120mm  
**TC 221.25** Ø 2,2x150mm



**TC 221.26**  
Excise



**TC 221.27**  
Excise

**BILE DUCT FORCECP**



**BILIARY TRACT-LITHOTOMY FORCECP**



**SPRING GRASPING FORCECP**



**CHOLANGIOPRARHY FORCEPS**



**TC 221.42**  
Cholangiography forceps  
Ø 5x330mm



**TC 221.43**  
Cholangiography forceps  
Ø 5x330mm



**FORCEPS**



**TC 221.44**  
Forceps  
Ø 12,5x360mm



**TC 221.45**  
Forceps  
65



**TC 221.46**  
Forceps  
45

**FORCEPS**



**TC 221.47**  
Forcep Ø 5,5x460mm



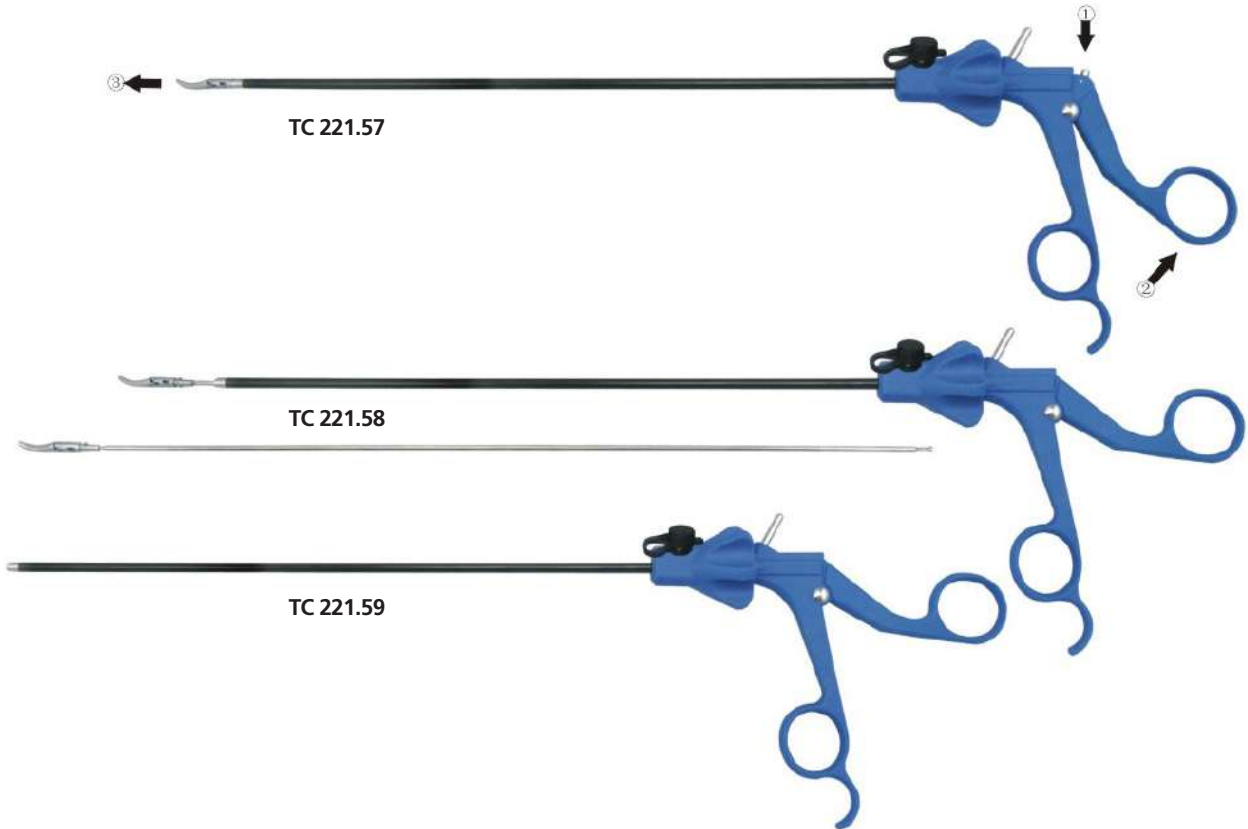
**TC 221.48**  
Forcep Ø 5,5x460mm



INSTRUMENT TO UNLOAD



INSTRUMENT TO UNLOAD



Ø 5x330mm



**TC 221.60**  
Plastic handle



**TC 221.61**  
Plastic handle  
(Interlocking Card)



**TC 221.62**  
Metal handle  
(Interlocking Card)



**TC 221.63**  
Straight scissors



**TC 221.66**  
Straight scissors



**TC 221.69**  
Curved scissors



**TC 221.74**  
Curved scissors



**TC 221.77**  
Curved scissors



**TC 221.80**  
Hook scissors



**TC 221.83**  
Hook scissors



**TC 221.85**  
Hook scissors



**TC 221.64**  
Curved clamp Forceps



**TC 221.67**  
Curved clamp Forceps



**TC 221.70**  
Curved clamp Forceps



**TC 221.72**  
Curved clamp Forceps



**TC 221.75**  
Curved clamp Forceps



**TC 221.78**  
Curved clamp Forceps



**TC 221.81**  
Curved clamp Forceps



**TC 221.84**  
Curved clamp Forceps



**TC 221.86**  
Curved clamp Forceps



**TC 221.65**  
Ischaemum grasping forceps



**TC 221.68**  
Ischaemum grasping forceps



**TC 221.71**  
Heavy grasping forceps



**TC 221.73**  
Interv-tooth grasping forceps



**TC 221.76**  
Interv-tooth grasping forceps



**TC 221.79**  
Interv-tooth grasping forceps



**TC 221.82**  
Fixed grasping forceps



**TC 221.87**  
Rat tooth grasping forceps



Ø 5x330mm



**TC 221.88**  
Metal handle



**TC 221.89**  
Metal handle  
(Interlocking Card)



**TC 221.90** 1+2  
Rat tooth grasping forceps



**TC 221.91**  
Non-destructive grasping forceps



**TC 221.92**



**TC 221.93** 2+4  
Rat tooth grasping forceps



**TC 221.94**  
Non-destructive grasping forceps



**TC 221.95**  
Cut bite-clamp



**TC 221.96** 2+4  
Rat tooth grasping forceps



**TC 221.97**  
Non-destructive grasping forceps



**TC 221.98**  
Tubal grasping forceps



**TC 221.99**  
Galibladder grasping forceps



**TC 222.10**  
Blunt grasping forceps



**TC 222.11**  
Tubal grasping forceps



**TC 222.12**  
Galibladder grasping forceps



**TC 222.13**  
Grasping forceps pointed



**TC 222.14**  
Mesangial grasping forceps



**TC 222.15**  
Non-destructive grasping forceps



**TC 222.16**  
Appendectomy grasping forceps



**TC 222.17**  
Mesangial grasping forceps



**TC 222.18**  
Non-destructive grasping forceps



**TC 222.19**  
Biopsy forceps



**TC 222.20**  
Wang tooth grasping forceps

Ø 5x330mm



**TC 222.21**  
Metal handle  
(Interlocking Card)



**TC 222.22**  
Plastic handle



**TC 222.23**  
Wang tooth grasping forceps



**TC 222.24**  
V-grasping forceps



**TC 222.25**  
Ureteral grasping forceps



**TC 222.26**  
Vertical tooth grasping forceps



**TC 222.27**  
Node-push forceps



**TC 222.28**  
Small grasping forceps



**TC 222.29**  
Vertical tooth grasping forceps



**TC 222.30**  
Node-push forceps



**TC 222.31**  
Octopus grasping forceps



**TC 222.32**  
O-grasping forceps



**TC 222.33**  
Node-push forceps



**TC 222.34**  
Stomach grasping forceps



**TC 222.35**  
Intestinal grasping forceps



**TC 222.36**  
Intestinal grasping forceps



**TC 222.37**  
Intestinal grasping forceps



**TC 222.38**  
Intestinal grasping forceps

Ø 10x330mm



**TC 222.39**  
Clamp extract



**TC 222.40**  
Grasping forceps



**TC 222.41**  
Straight scissors



**TC 222.42**  
Curved scissors



**TC 222.43**  
Curved separation



**TC 222.44**  
Curved separation



**TC 222.51**  
Clamp extract



**TC 222.52**  
Grasping forceps



**TC 222.53**  
Grasping forceps



**TC 222.54**  
Grasping forceps



**TC 222.55**  
Intestinal grasping forceps



**TC 222.45**  
Intestinal grasping forceps



**TC 222.46**  
Stomach grasping forceps



**TC 222.47**  
Stomach grasping forceps



**TC 222.48**  
Traction with forceps



**TC 222.49**  
Oval grasping forceps



**TC 222.50**  
Sophora grasping forceps



**TC 222.56**  
Inverted-tooth forceps



**TC 222.57**  
Grams clamp plate

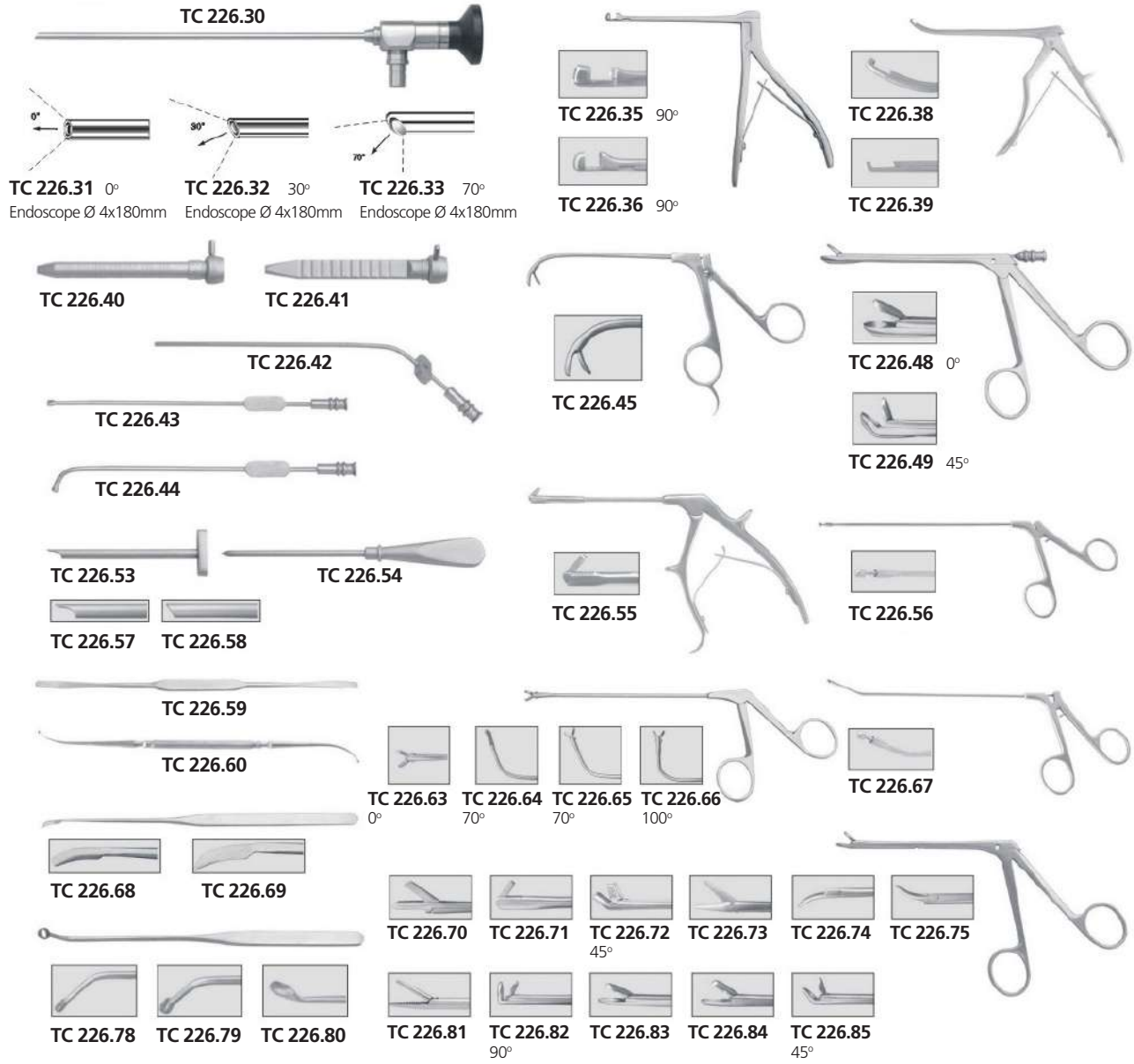


**TC 222.58**  
Octopus forceps



**TC 222.59**  
Lung clamp

**SINOSCOPE**



**NOSE ELECTRIC - DRILL**



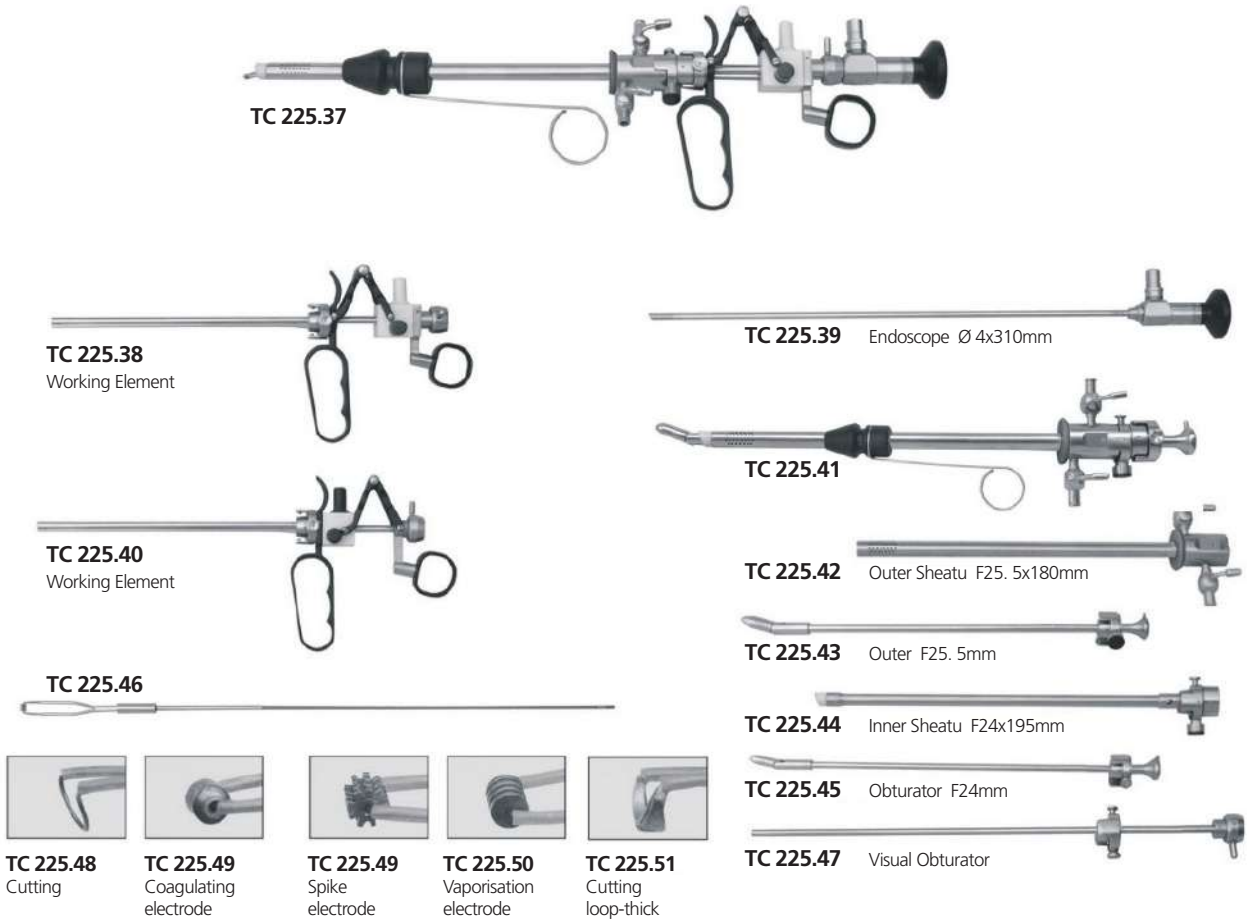
HYSTEROSCOPE FOR INSPECTION



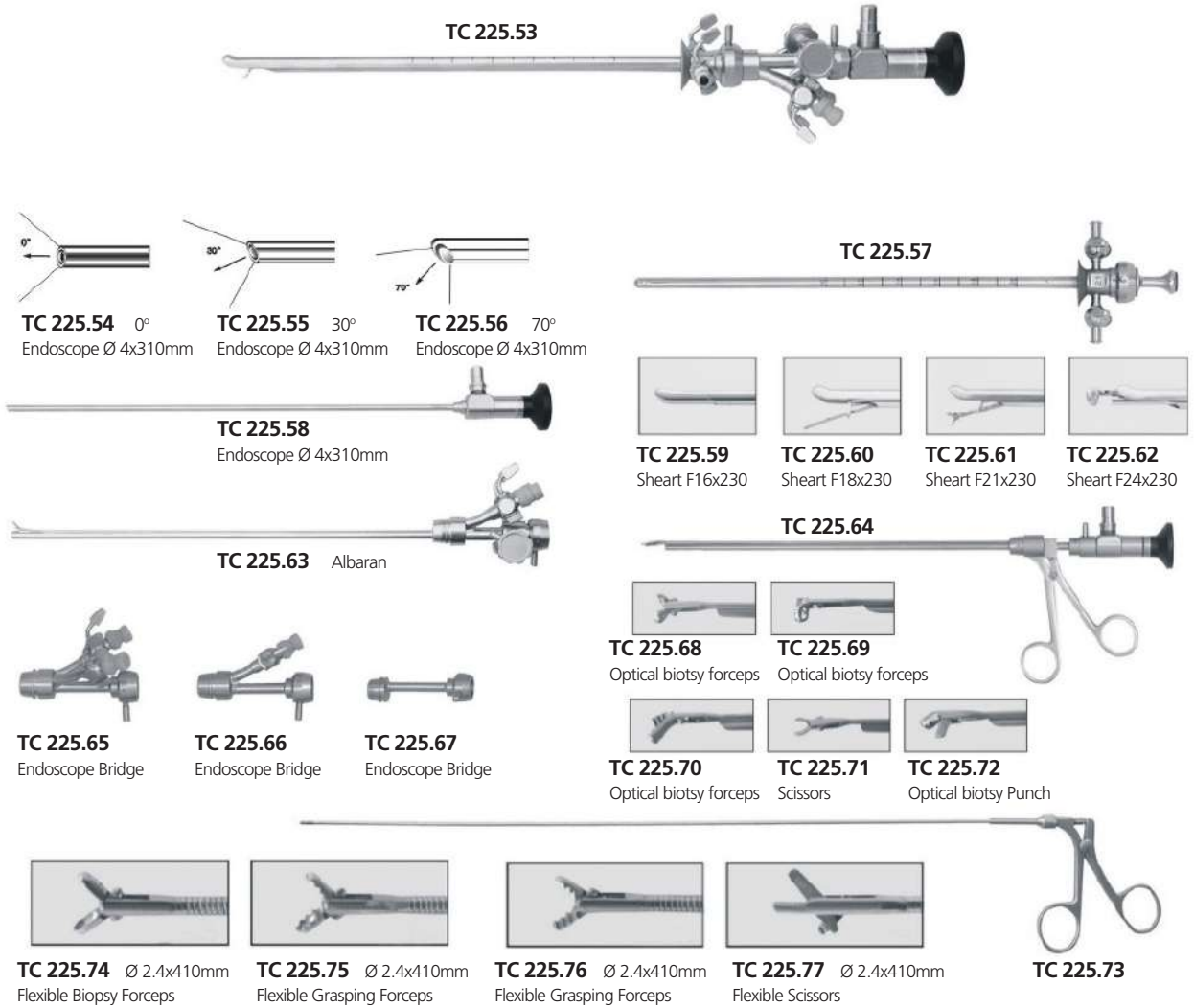
AMNIOSCOPE



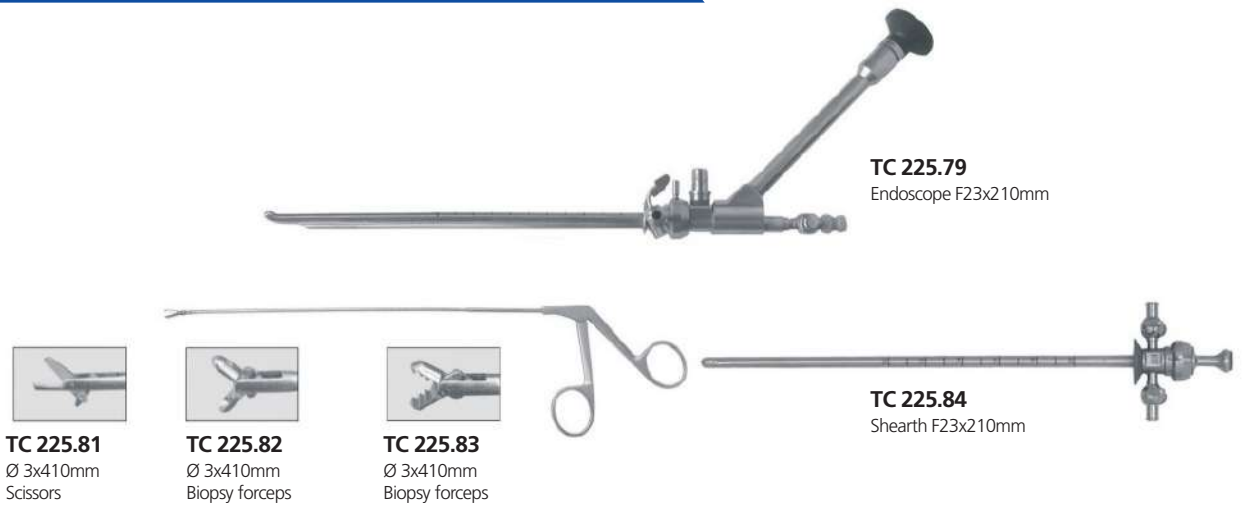
HYSTERO - ELECTROTOME



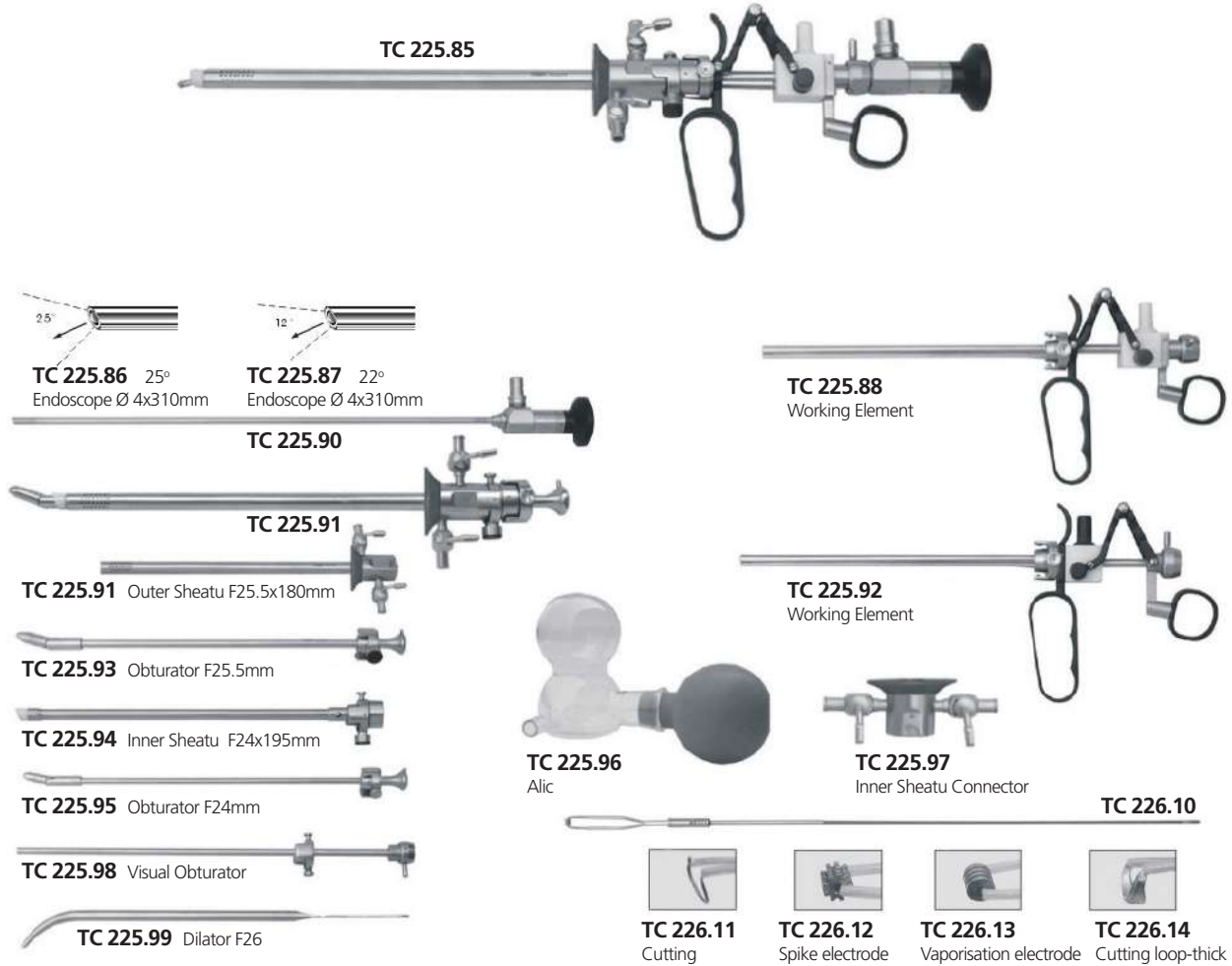
**SYSTO - URETHROSCOPE**



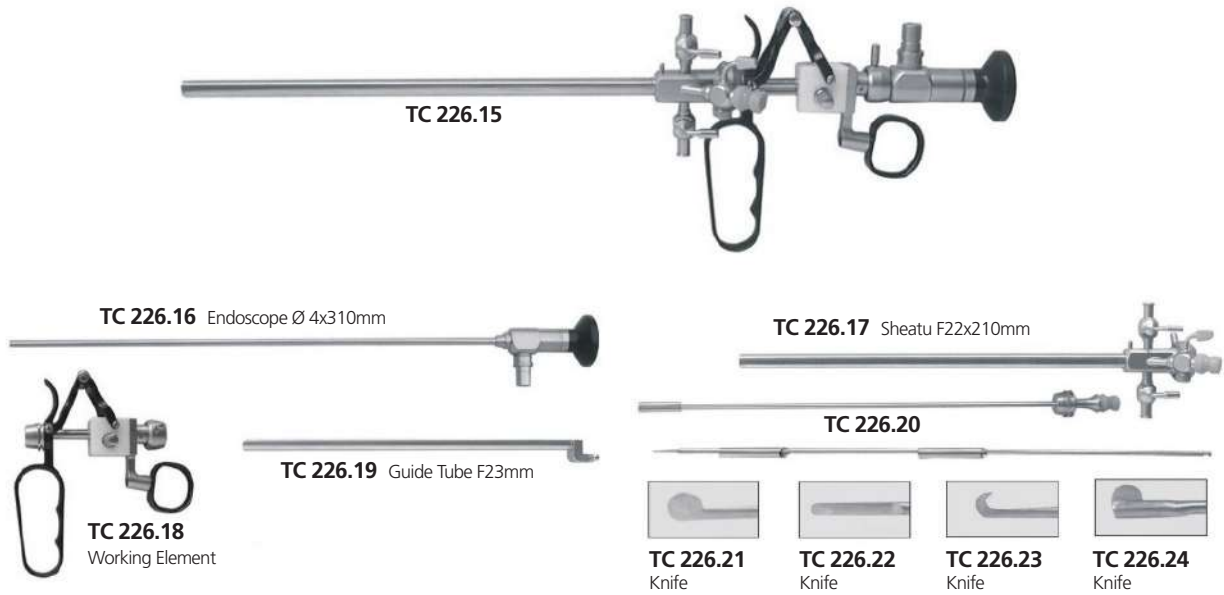
**SIDE VIEWING SYSTO - URETHROSCOPE**



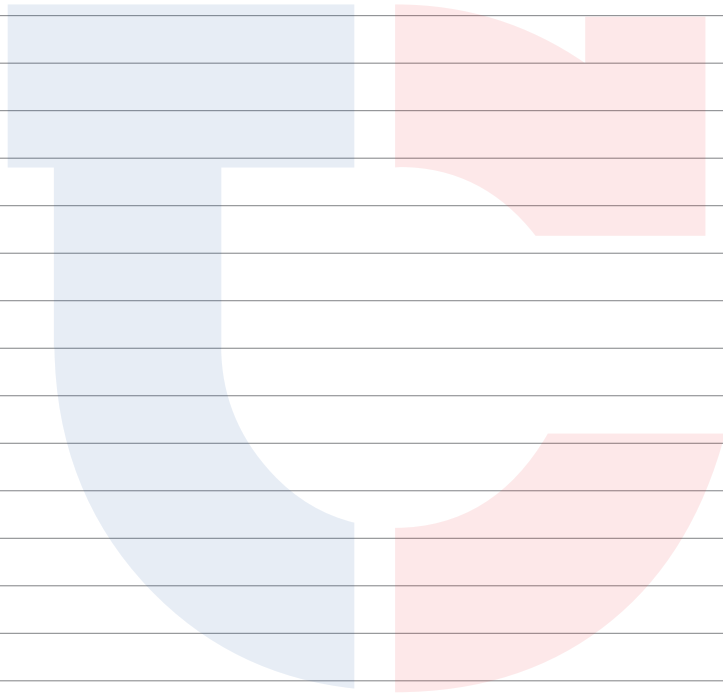
RESECTOSCOPE FOR ADULTS



OPTICAL URETHROTOME



NOT:





NOT:



NOT:







## **TEKNO-CER**

**CERRAHİ ALETLER İMALAT SAN. ve TİC. LTD. ŞTİ.**

📍 Yenimahalle Mah. 7. Sokak No:26 Canik/SAMSUN

☎ +90(362) 228 63 39 📠 +90(362) 228 09 90

📱 +90(546) 640 05 55

✉ info@teknocer.com.tr

🏠 www.teknocer.com.tr